

This is a medium to high sensitivity, circular, sealed miniature relay of proprietary design. It is fitted with a balanced armature system enabling it to give long and satisfactory operation while being subjected to severe conditions of acceleration and vibration. The maximum springset load is eight changeovers, but various springset combinations including make before break actions are available. It is only available for chassis mounting with solder terminations.



Type 3

Key Features

- Balanced armature.
- Medium to high sensitivity.
- Chassis mounting.
- Solder Terminations.

Specification

Electrical

Operate Time	20 – 50 ms typical for 8 c/o contacts.
Release Time	7 – 13 ms typical for 8 c/o contacts.
Switching Rate	Capable of 300 ops/minute Slow release models are also available with up to 200 ms Delay. See table on sheet 2.
Maximum Permissible Coil Dissipation	At nominal voltages and in an ambient temperature of 15.6 °C the operating power varies according to the springset load from 0.2 to 1.5 watts. The maximum permissible power which may be dissipated in the Windings is 4.0 watts approx. at 15.6 °C
Dielectric Strength	1000 V ac at 50 Hz.
Insulation Resistance	500MΩ (min) at 500 V dc

Environmental and Physical

Weight	220 gram
Temperature category	-40 °C to +100 °C
Humidity Classifications H1 to RCS11	6 damp – heat cycles (accelerated) Duration per cycle 16 hours at 55 °C, R.H. 95-100% 84 days tropical exposure
Vibration	To RCS11 – Velocity 25.4mm (1")/sec. at 10 Hz, to 76.2mm (3")/sec. at 60 Hz, then 3 g at 60 Hz to 6.5 g at 150 Hz.
Acceleration	75 g – applied in any plane.
Bump	Def 5165 – 4000 bumps at 40 g.

Dimensions

See Sheet 3 for dimensional details

Ordering Information

See Sheet 2.

Data Sheet No
DSREL3-0305

Sheet 1 of 3

Design authority and manufacture by Barnbrook Systems Limited

Barnbrook Systems reserves the right to alter specifications and design without notice

Coil Data				
Nominal dc Coil Voltage	Nominal Coil Resistance Ω +/-5% at 15.6 °C		Limit Circuit Current (mA)	
	1.3	2	1.37	350
6	45	30	75	115
12	160	122	43	56
24	770	550	18.7	26
48	3200	2000	8.7	14.2
Constant Current Supply	-	7500	-	8.4
	(a)	(b)	(a)	(b)

(a) For relays with 6C, 3C3K or 3M3B.

(b) For relays with 8C, 4C4K or 4M4B.

Other coil values are available, up to 40,000 Ω

Slow Release Models

The following types are available with springsets as shown :-

Springset

4 Changeovers
4 Changeovers
8 Changeovers

Release Time

90 ms minimum
180 ms minimum
40 ms minimum

The above types relate to normal duty contacts only.

Relays of this type can be supplied suitable for the following nominal voltages :-

6.0V, 12.0V, 24.0V, 48.0V

The windings allow for voltage variations of +20% and -12.5%

Contact Data

Contact Arrangements Available	Contact Material	Contact Rating (Resistive Load) and Contact Life
3C3K, 6C, 4C4K, 8C	Palladium	100mA at 300 Vdc - 10^6 ops. 1A at 60 Vdc - 5×10^6 ops. 1A at 12 Vdc - 10^6 ops.
3M3B, 4M4B	Silver	4A at 28 Vdc - 2×10^5 ops. 4A at 300 Vac - 2×10^5 ops.

Note: For all inductive loads an adequate contact protection and spark quenching circuit must be fitted.

Ordering Information

Part No.	Style Ref.	NATO Stock No.	Coil Volts/Res Ω	Contact		
				Action	Duty	Material
507/1/02883/004		5945-99-911-4074	24/550	8C	Normal	Palladium
507/1/02883/012		5945-99-412-8170	CCS/7500	8C	Normal	Palladium

For details of other Type 3 Relays please contact Barnbrook Sales on

Telephone +44(0)01329 847722
or e-mail sales@barnbrook.co.uk

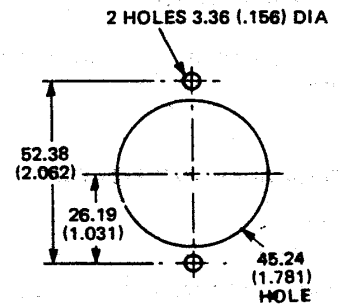
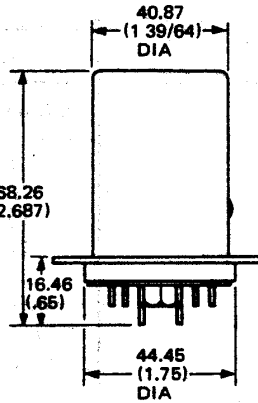
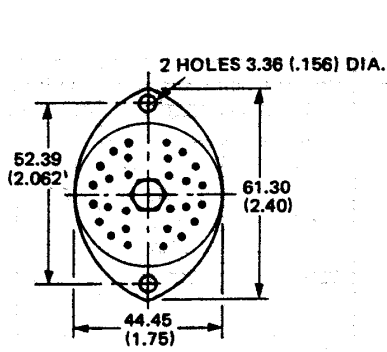
Data Sheet No
DSREL3-0305

Sheet 2 of 3

Design authority and manufacture by Barnbrook Systems Limited

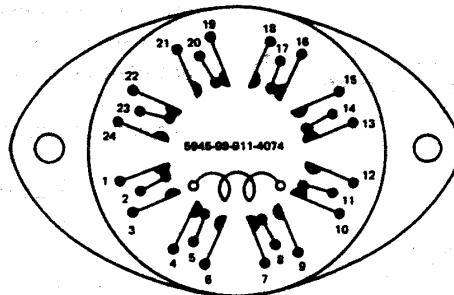
Barnbrook Systems reserves the right to alter specifications and design without notice

Dimensions and Panel Layout



CHASSIS DRILLING

SCHEMATIC



SCHEMATIC DIAGRAM LOOKING IN
DIRECTION OF PINS

Data Sheet No
DSREL3-0305

Sheet 3 of 3

Design authority and manufacture by Barnbrook Systems Limited
Barnbrook Systems reserves the right to alter specifications and design without notice