

The 'S' Type is of well proven design produced as either a 4-pole 10-amp or 2-pole 25-amp bridging make-and-break relay. The movement is balanced and the flexible contact springs impart a wiping action to the contacts. The relay is hermetically sealed or enclosed by a dust cover, the former being available with or without an inert gas filling. Electrical connections are by solder tags, screw connections or plug-in connections.

Various coil operating voltages are available from 12 to 112 Vdc and the contacts are rated at either 10 or 25 amp for 28 Vdc and 200V 400Hz operation.

The relay will function over a temperature range of  $-65^{\circ}\text{C}$  to  $+75^{\circ}\text{C}$  ( $-85^{\circ}\text{F}$  to  $+158^{\circ}\text{F}$ ) and will meet the vibration requirement of BSG 100 Grade 2 and the acceleration requirement of BSG 100 Grade 1A.



Type S

## Key Features

- Available as either 4-pole 10-amp or 2-pole 25-amp.
- Available in voltages from 12 to 112 Vdc.
- Wiping action of contacts.
- Gas filled and hermetically sealed if required.

## Specification

### Electrical

Coil Voltage Voltages from 12 to 112 Vdc (See sheets 2 - 5)  
Coil resistance From 21 ohms to 1250 ohms (See sheets 2 - 5)

### Contacts

10-amp Relay Rated for either 28 Vdc or 200 V 400 Hz  
25-amp Relay Rated for either 28 Vdc or 200 V 400 Hz

### Environmental and Physical

Temperature range  $-65^{\circ}\text{C}$  to  $+75^{\circ}\text{C}$   
Vibration BSG 100 Grade 2  
Acceleration BSG 100 Grade 1A

### Dimensions

See sheets 2, 3, 4 & 5 for dimensional details

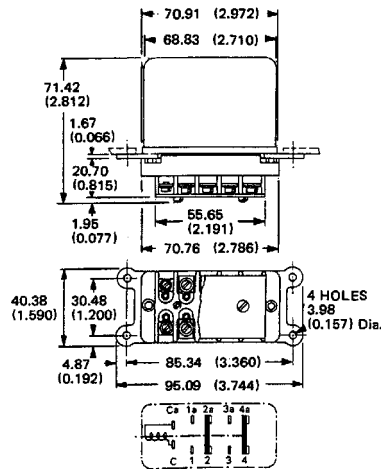
### Ordering Information

Quote Part Number from Tables on Sheets 2, 3, 4 or 5.

Data Sheet No  
**DSRELS- 0305**

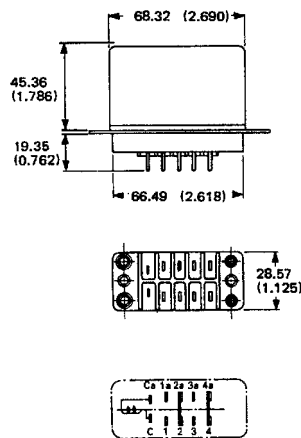
Sheet 1 of 5

**Design authority and manufacture by Barnbrook Systems Limited**  
Barnbrook Systems reserves the right to alter specifications and design without notice



### 25 Amp 2-Make, 2-Break

Coil (Nominal)	Coil Resistance	Weight	Termination	Enclosure	Part Number
28 Vdc	80 ohm	368 g (13 oz)	Screw	Hermetically Sealed	7CZ107152/1
112 Vdc	1250 ohm	368 g (13 oz)	Screw	Hermetically Sealed	7CZ107903/1



### 25 Amp 2-Make, 2-Break

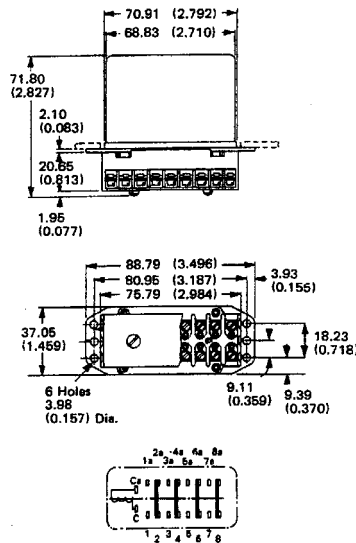
Coil (Nominal)	Coil Resistance	Weight	Termination	Enclosure	Part Number
28 Vdc	80 ohm	326 g (11.5 oz)	Plug-in	Dust Cover	7CZ107792
Socket					7CZ107805

All dimensions are in millimetres (inches)

Data Sheet No  
**DSRELS- 0305**

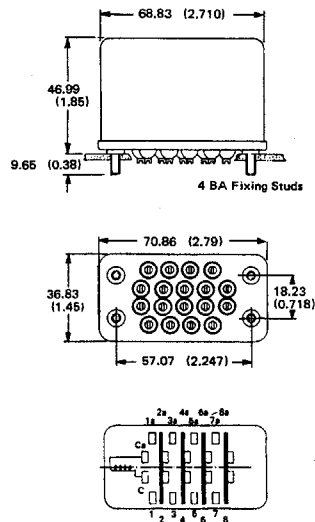
Sheet 2 of 5

**Design authority and manufacture by Barnbrook Systems Limited**  
Barnbrook Systems reserves the right to alter specifications and design without notice



**10 Amp 4-Make, 4-Break  
Six hole mounting**

Coil (Nominal)	Coil Resistance	Weight	Termination	Enclosure	Part Number
28 Vdc	80 ohm	368 g (13 oz)	Screw	Hermetically Sealed	7CZ105648/2



**10 Amp 4-Make, 4-Break**

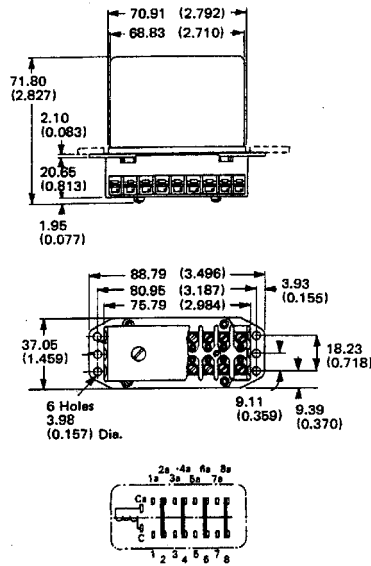
Coil (Nominal)	Coil Resistance	Weight	Termination	Enclosure	Part Number
28 Vdc	80 ohm	326 g (11.5 oz)	Solder	Hermetically Sealed	501-1-00953-002

All dimensions are in millimetres (inches)

Data Sheet No  
**DSRELS- 0305**

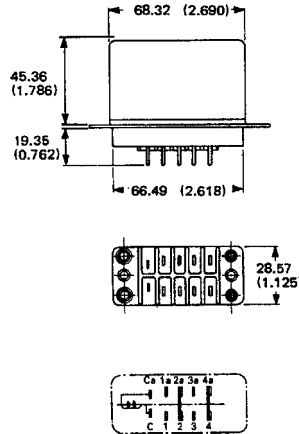
Sheet 3 of 5

Design authority and manufacture by Barnbrook Systems Limited  
Barnbrook Systems reserves the right to alter specifications and design without notice



**25 Amp 2-Make, 2-Break  
Six hole mounting**

Coil (Nominal)	Coil Resistance	Weight	Termination	Enclosure	Part Number
28 Vdc	80 ohm	368 g (13 oz)	Screw	Hermetically Sealed	7CZ105649/2
12 Vdc	21 ohm	368 g (13 oz)	Screw	Hermetically Sealed	507-1-01000-002



**10 Amp 4-Make, 4-Break**

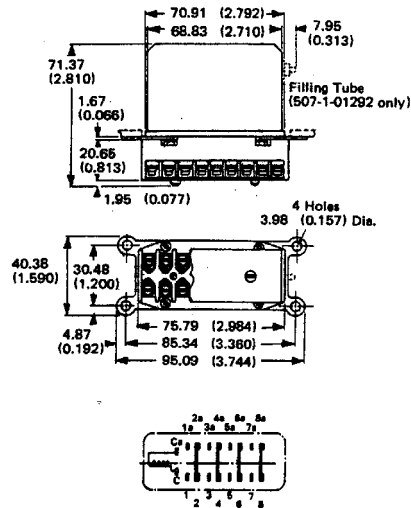
Coil (Nominal)	Coil Resistance	Weight	Termination	Enclosure	Part Number
28 Vdc	80 ohm	326 g (11.5 oz)	Plug-in	Dust Cover	7CZ107791
Socket					7CZ107794

All dimensions are in millimetres (inches)

Data Sheet No  
**DSRELS- 0305**

Design authority and manufacture by Barnbrook Systems Limited  
Barnbrook Systems reserves the right to alter specifications and design without notice

Sheet 4 of 5



**10 Amp 4-Make, 4-Break  
Four hole mounting**

Coil (Nominal)	Coil Resistance	Weight	Termination	Enclosure	Part Number
28 Vdc	80 ohm	368 g (13 oz)	Screw	Hermetically Sealed	7CZ107151/2
112 Vdc	1250 ohm	368 g (13 oz)	Screw	Hermetically Sealed	7CZ107902/2
50 Vdc	430 ohm	368 g (13 oz)	Screw	Hermetically Sealed	507-1-01292

**All dimensions are in millimetres (inches)**

Data Sheet No  
**DSRELS- 0305**

Sheet 5 of 5

**Design authority and manufacture by Barnbrook Systems Limited**  
Barnbrook Systems reserves the right to alter specifications and design without notice