

The 'P' Type coil movement is designed to meet demand for a high-performance Relay of small size and weight. The movement powers two contact arrangements, a 6-pole 2-amp changeover and the 4-pole 10-amp changeover for 28Vdc and 200V 400 Hz.

The design achieves a compact coil and contact arrangement with built-in standards of cleanliness and reliability. The coil is sealed from the contact chamber, which is gas filled and hermetically sealed. The Relay is extremely versatile being produced with terminal block, plug-in connections, flying leads or with solder connections.

Relays are available in a number of special forms featuring time delay, special voltage or current-sensitive coils and coil suppression.



Type P

Key Features

- Available with either ac or dc coil operation.
- Coil sealed from contact chamber.
- Gas filled and hermetically sealed.

Specification

Electrical

Coil Voltage (AC)	115 Vac 400 Hz
Line transient resistance	Up to 1000V for 10 μ s
Coil Voltage (DC)	16 – 29 Vdc
Dielectric strength	The 6-pole Changeover Relay is tested at 1000 volts and the 4-pole Changeover Relay is tested at 1000 volts in between contacts.

Contacts

2-amp Relay	Rated for either 28 Vdc or 200 V 400 Hz
10-amp Relay	Rated for either 28 Vdc or 200 V 400 Hz

Environmental and Physical

Endurance	100,000 operations minimum
Temperature range	-65°C to +100 °C
Vibration	DEF 5011. Severity V.1.
Acceleration	DEF 5011. Severity A.1.

Dimensions

See supplementary sheets for dimensional details

Ordering Information

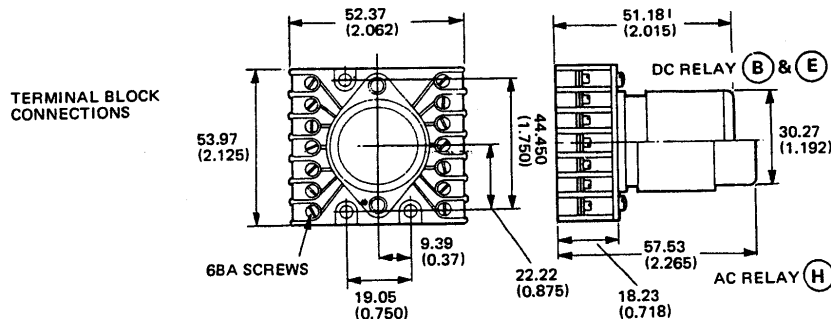
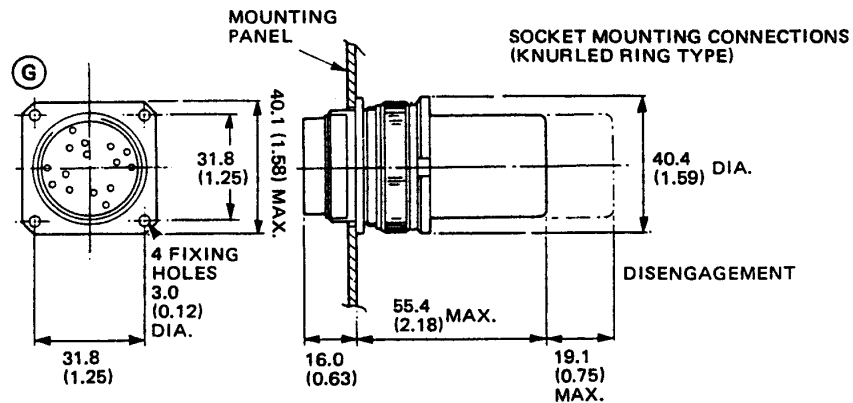
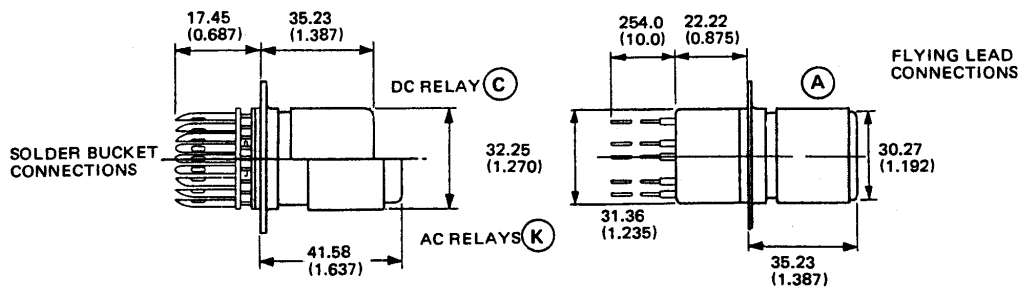
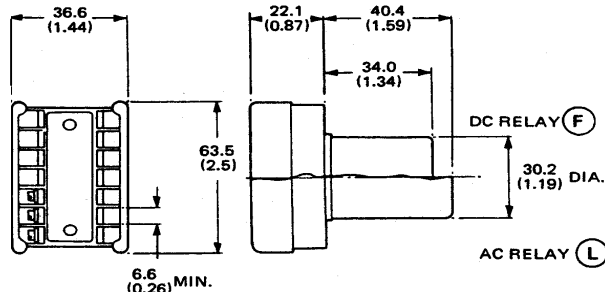
Quote Part Number from Table on Sheet 3.

Data Sheet No
DSRELP- 0305

Sheet 1 of 4

Design authority and manufacture by Barnbrook Systems Limited

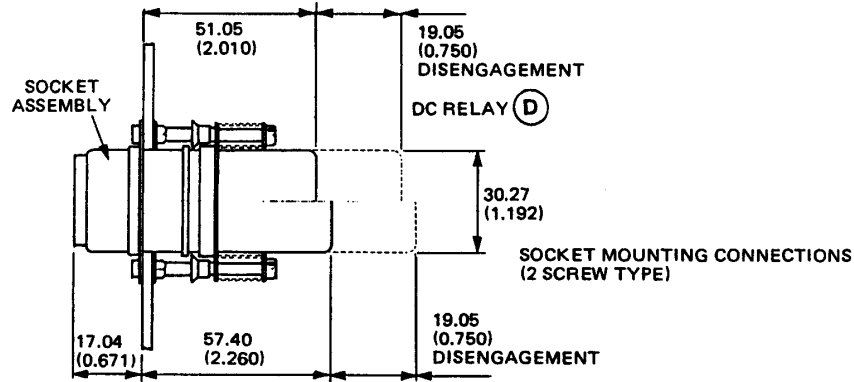
Barnbrook Systems reserves the right to alter specifications and design without notice



Data Sheet No
DSRELP- 0305

Sheet 2 of 4

Design authority and manufacture by Barnbrook Systems Limited
Barnbrook Systems reserves the right to alter specifications and design without notice



Specification

10-Amp 4-Changeover

DC RELAYS, Coil voltage 28V dc, coil resistance 180 ohms

Outline Diagram	Part No.	Termination	Weight
A	507-1-00097	Flying Leads	135 g (4.75 oz)
B	507-1-00140	Terminal Block	156 g (5.50 oz)
C	507-1-00390	Solder Bucket	113 g (4.00 oz)
D	507-1-00391	Terminal Block	113 g (4.00 oz) *
E	507-1-00517	Plug-in	156 g (5.50 oz)
F	507-1-00920	Terminal Block	156 g (5.50 oz)
G	507-1-01225	Plug-in	135 g (4.75 oz) *

AC RELAYS, Coil voltage 115V 400 Hz, nominal coil current 40mA.

Outline Diagram	Part No.	Termination	Weight
H	507-1-00330	Terminal Block	170 g (6.00 oz)
J	507-1-00392	Plug-in	142 g (5.00 oz) *
K	507-1-00430	Solder Bucket	142 g (5.00 oz)
L	507-1-00921	Terminal Block	177 g (6.25 oz)

2-Amp 6-Changeover

DC RELAYS, Coil voltage 28V dc, coil resistance 180 ohms

Outline Diagram	Part No.	Termination	Weight
A	507-1-00363	Flying Lead	135 g (4.75 oz)
C	507-1-00012	Solder Bucket	113 g (4.00 oz)
C	507-1-00112#	Solder Bucket	113 g (4.00 oz)

AC RELAYS, Coil voltage 115V 400 Hz, nominal coil current 40mA.

Outline Diagram	Part No.	Termination	Weight
K	507-1-00942	Solder Bucket	128 g (4.50 oz)

* weight without socket

dry circuit aged

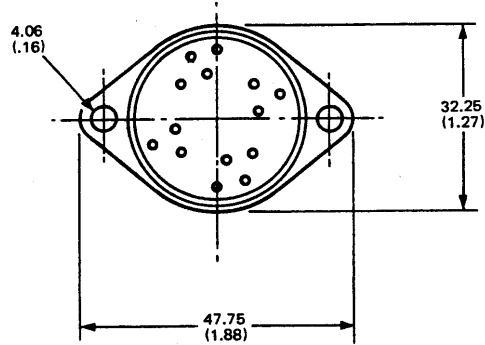
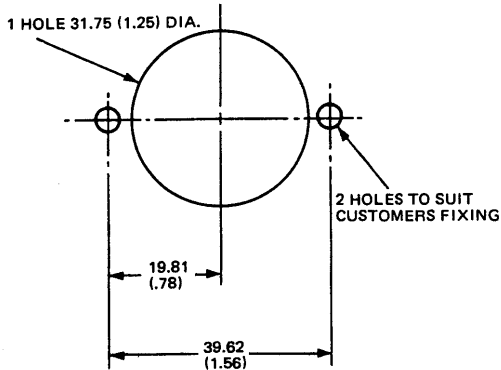
Data Sheet No
DSRELP- 0305

Sheet 3 of 4

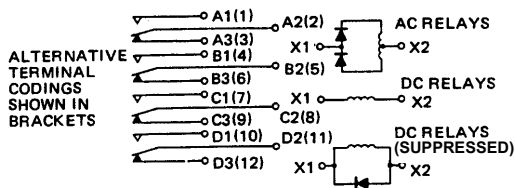
Design authority and manufacture by Barnbrook Systems Limited

Barnbrook Systems reserves the right to alter specifications and design without notice

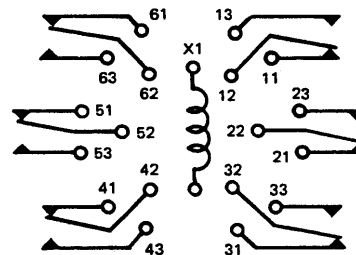
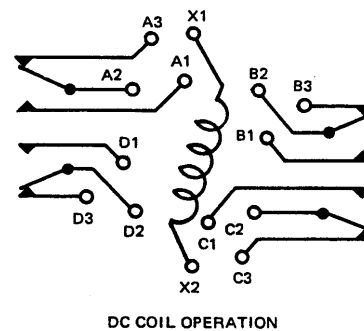
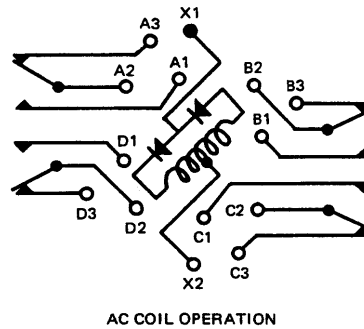
PANEL PIERCING AND SOCKET DETAILS FOR FLYING LEAD, SOLDER BUCKET AND PLUG-IN RELAYS



All measurements are in millimetres (inches)



AC AND DC CIRCUIT DIAGRAMS FOR ALL 10-AMP 4 CHANGEOVER CONTACTS



CIRCUIT DIAGRAM OF 2-AMP 6 CHANGEOVER CONTACTS

Data Sheet No
DSRELP- 0305

Sheet 4 of 4

Design authority and manufacture by Barnbrook Systems Limited
Barnbrook Systems reserves the right to alter specifications and design without notice