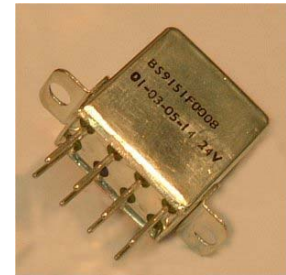


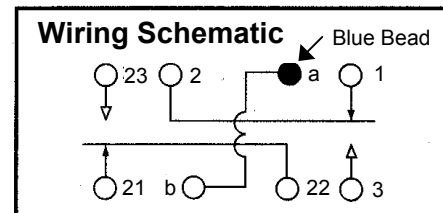
HDD1
2PDT CRYSTAL CAN RELAY



TYPE HDD1

Key Features

- Hermetically Sealed
- Low level switch
- Double compartment sealing



Specification

General

Contact Arrangement
Weight
Mating Bases

2 Pole changeover (2PDT) break before make
18 gm (mounting style 01)
Solder Contacts – Order Part No. 4223-1
Crimp Contacts – Order Part No. 420204

Performance

Contact Rating/Life

2A resistive, 10^5 operations at 28 VDC
1A resistive, 10^5 operations at 115 VAC 400 Hz
1A inductive, 10^5 operations at 28 VDC
Low level 10^6 operations

Operate Time
Release Time
Bounce Time

5 ms max. at 20°C with nominal voltage (excluding bounce)
3 ms max. at 20°C with nominal voltage (excluding bounce)
3 ms max. at 20°C with nominal voltage

Environmental

Temperature Range
Bump
Shock
Vibration

-65°C to +125°C
4000 bumps at 390 m/s² (40g), 6ms duration
490 m/s² (50g) for 11 ms
60 to 2000 Hz at 147 m/s² (15g) acceleration
10 to 60 Hz at 1mm amplitude
BS 2011 test Z/ABDM procedure 1
BS 2011 part 2.1 Kb severity 2

Climatic
Salt Mist

Ordering Information

See sheet 4

Data Sheet No
DSHDD1- 1107

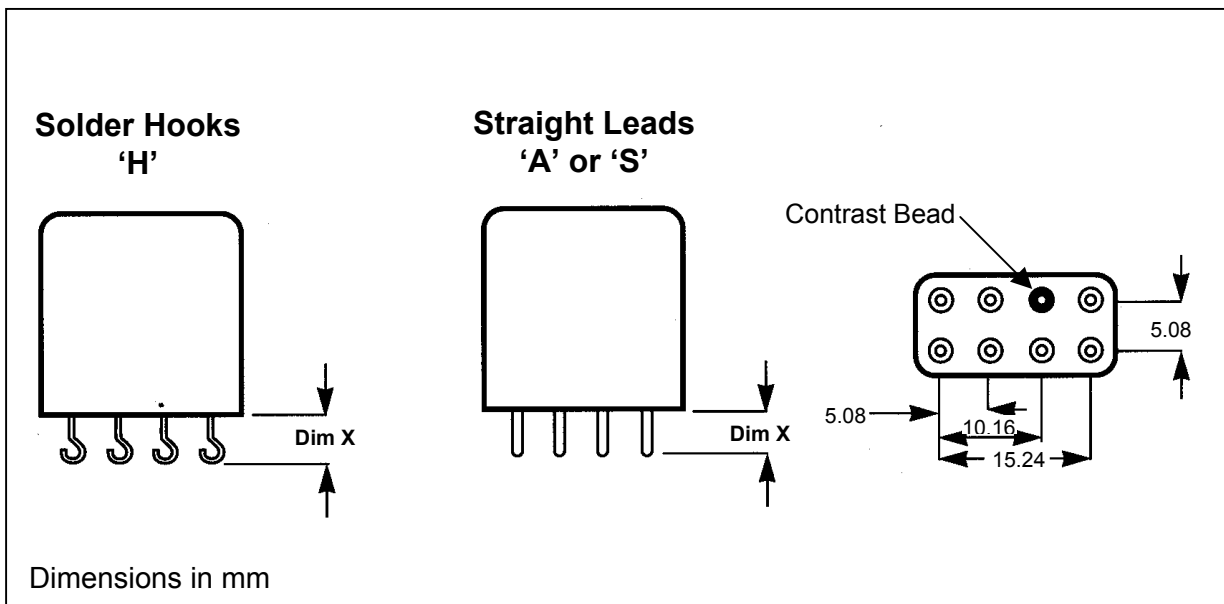
SHEET 1 OF 4

Design authority and manufacture by Barnbrook Systems Limited
Barnbrook Systems reserves the right to alter specifications and design without notice

Electrical

Contact Resistance	50 mΩ max at 10 mV
Insulation Resistance	500 MΩ minimum at 500 Vdc
Dielectric Strength	500 Vrms, 50 Hz at sea level 350 Vrms at 70,000 ft
Coil Sensitivity	Min operate power 100 mW
Capacitance	Contact to case 1.4 pF Between open contacts 0.3 pF Between contact sets 0.2 pF Coil to case 24 pF

TERMINATION VARIANTS



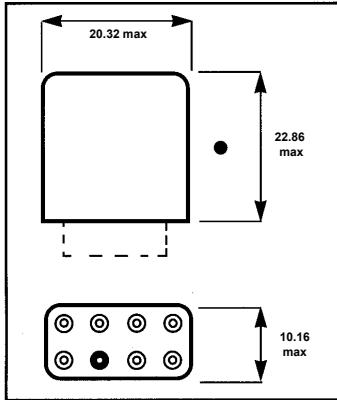
HD	Type	Dim.X mm.
H	Solder Hook	4.69
S	Straight Lead	5.08
A	Straight Lead	7.92

Data Sheet No
DSHDD1- 1107

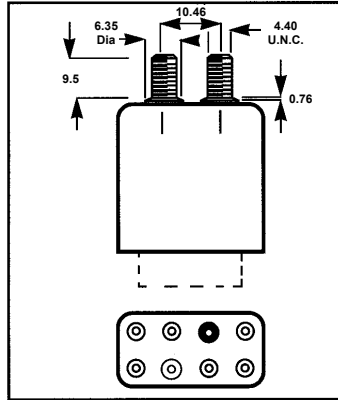
SHEET 2 OF 4

MOUNTING VARIANTS

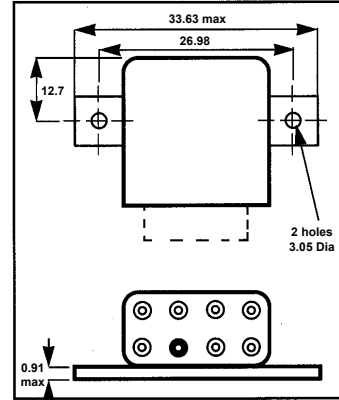
HD Style 01



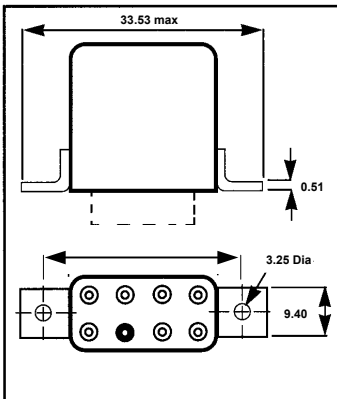
HD Style 15



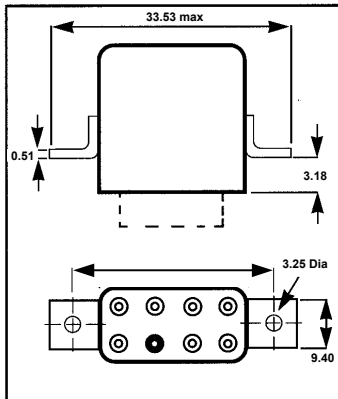
HD Style 09



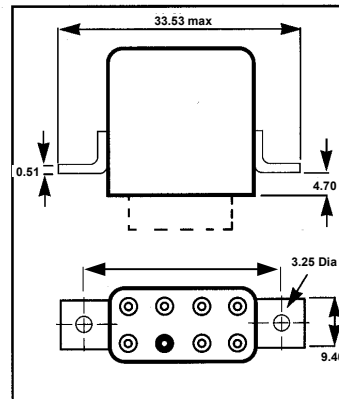
HD Style 02



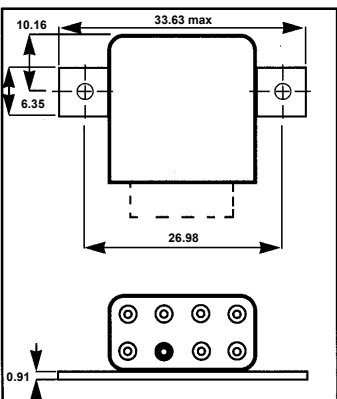
HD Style 03



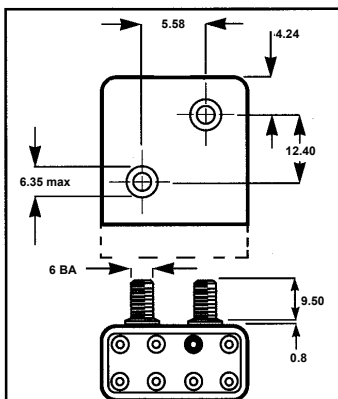
HD Style 06



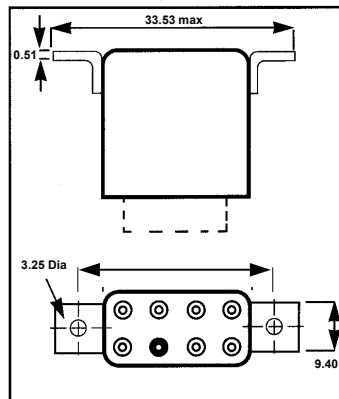
HD Style 07



HD Style 13



HD Style 19



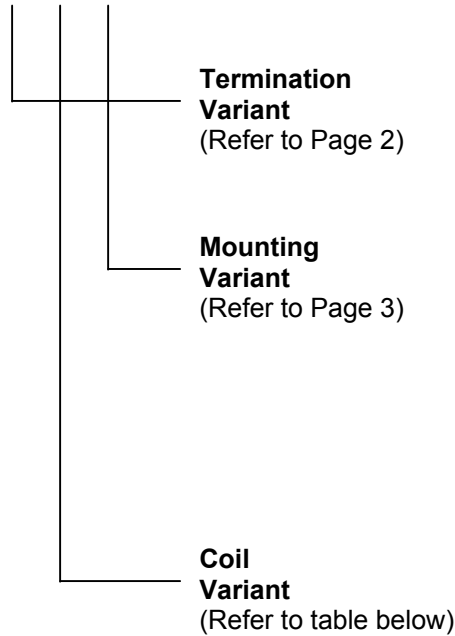
All dimensions are in millimeters

● Blue bead

Data Sheet No
DSHDD1-1107
SHEET 3 OF 4

ORDERING INFORMATION

HDD1S-C2-E01



COIL VARIANTS AND OPERATING CHARACTERISTICS

HD Coil Reference	Nominal Operate Voltage VDC	Coil Resistance Ohms $\pm 10\%$ at 20 ^o C	Must Operate Current mA	Must Drop Out Current mA
B2	3	31.25	56.8	5.6
C2	6	125	28.4	2.8
D2	9	280	18.9	1.9
E2	12	500	14.2	1.4
M2	17	1000	10.0	1.0
F2	24	2000	7.1	0.7
J2	32	3555	5.3	0.5
G2	48	8000	3.6	0.3

All values are measured at 25^oC

Data Sheet No
DSHDD1- 1107

SHEET 4 OF 4