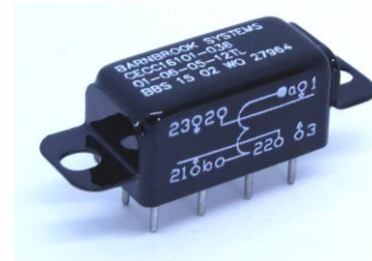


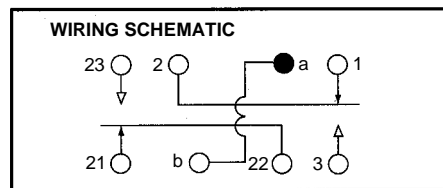
<b>CECC16101 - 038</b> <b>2PDT HALF CRYSTAL CAN RELAY</b>
--



### Key Features

- Hermetically sealed
- Low Level capability
- Small size for high density packing

## Type CECC16101-038



### Specification

#### General

Contact arrangement	2 Pole changeover (2PDT) break before make
Weight	8.7 g (mounting variant 01)
Mating Bases	Solder Contacts – Order Part No. 4223-1 Crimp Contacts – Order Part No. 420204

#### Performance

Contact Rating/life	2A Resistive, 10 <sup>5</sup> operations at 28 VDC 1A Resistive, 10 <sup>5</sup> operations at 115 VRMS 400 Hz Low Level, 10 <sup>6</sup> operations (typical 5 VDC, 10mA)
Mean Mechanical Life	5 x 10 <sup>7</sup> operations
Operate Time	3.5 ms nominal, 5 ms max (excluding bounce)
Release Time	1 ms nominal, 5 ms max (excluding bounce)
Bounce Time	3 ms max
	All measurements made at 25°C and nominal voltage

#### Environmental

Temperature Range	-65°C to +125°C
Shock *	490 m/s <sup>2</sup> (50g) for 11 ms
Vibration *	60 to 2000 Hz at 196 m/s <sup>2</sup> (20g) acceleration 10 to 60 Hz at 1.5mm amplitude * applies to mounting style 01
Linear Acceleration	980 m/s <sup>2</sup> (100g)
Bump	4000 bumps at 390 m/s <sup>2</sup> (40g), 6 ms duration
Climatic	CECC16000 5.15
Salt Mist	CECC16000 5.22

**Ordering Information** See sheet 4

Data Sheet No  
**DSD16101-038**  
**3922**  
Sheet 1 of 4

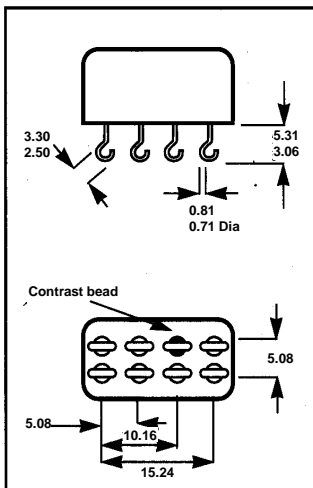
**Design authority and manufacture by Barnbrook Systems Limited**  
Barnbrook Systems reserves the right to alter specifications and design without notice

### Electrical

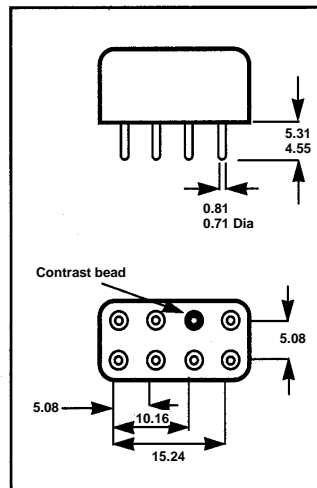
Contact Resistance	Code 01 contacts 50 mΩ max. measured at open circuit voltage of 5V and current of 10 mA. Code 02 contacts 50 mΩ max. measured at open circuit voltage of 10 mV and current of 10 mA.
Insulation Resistance	500 MΩ min. -between any two isolated terminals 500 MΩ min. -between terminals and case Measured at 500 VDC and 25°C
Dielectric Strength	500 VRMS 50 Hz, at sea level, between terminals and case, between the two sets of contacts, and between open contacts 350 VRMS 50 Hz, at 20 mbar air pressure (87,000ft), between all terminals and case
Capacitance	Closed contacts to case                   4pF Open contacts to case                    2pF Between contacts of a set                2pF Between the two contact sets           4pF
Coil Dissipation	The maximum operate power that can be applied to the coil is 1.0W at 25°C de-rated linearly to 0.8W at 125°C

### Terminal Variants

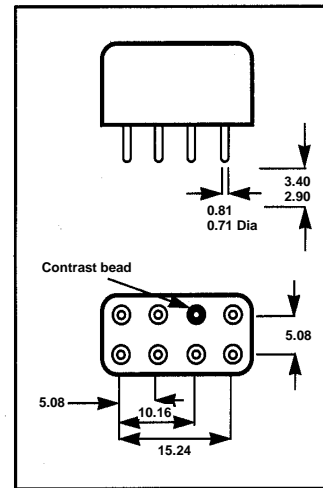
CECC Ref 11



CECC Ref 12



CECC Ref 13



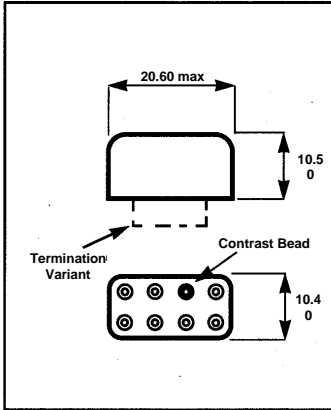
All dimensions are in millimetres. Tolerance ± 0.25 unless otherwise stated

Data Sheet No  
**DSD16101-038**  
**3922**  
Sheet 2 of 4

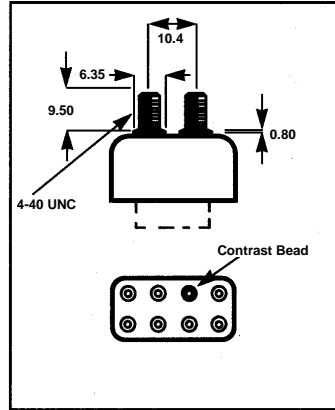
**Design authority and manufacture by Barnbrook Systems Limited**

Barnbrook Systems reserves the right to alter specifications and design without notice

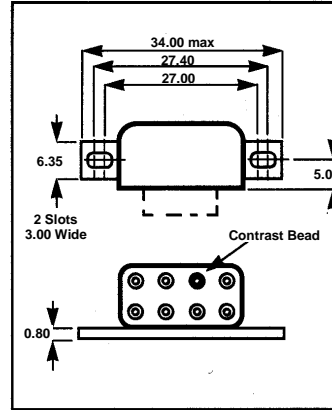
CECC Ref 01



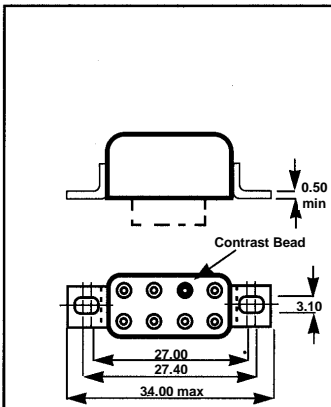
CECC Ref 02



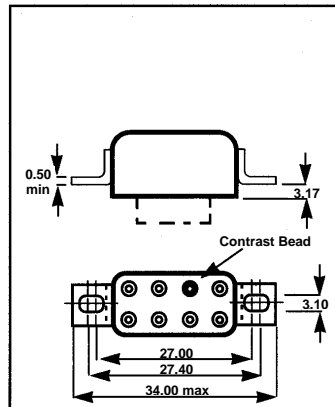
CECC Ref 03



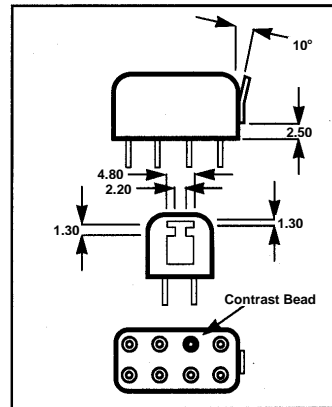
CECC Ref 04



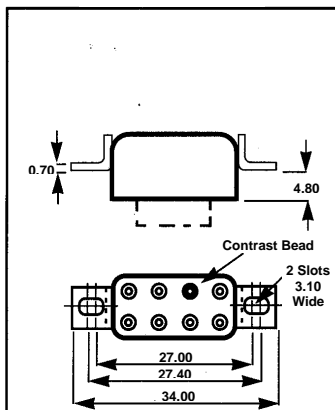
CECC Ref 05



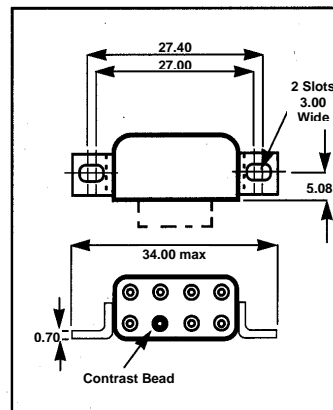
CECC Ref 06



CECC Ref 07



CECC Ref 08



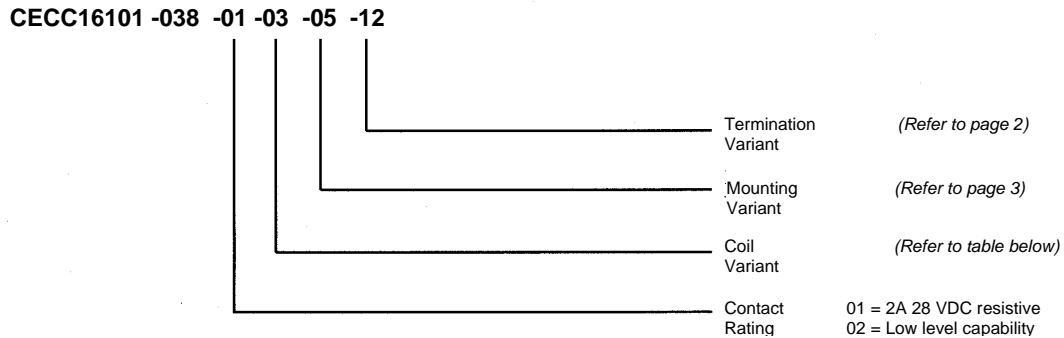
All dimensions are in millimetres. Tolerances  $\pm 0.25$  unless otherwise stated.  
Can dimensions shown in ref. 01 apply to all variants. All termination variants are allowable.

Data Sheet No  
**DSD16101-038**  
**3922**  
Sheet 3 of 4

**Design authority and manufacture by Barnbrook Systems Limited**

Barnbrook Systems reserves the right to alter specifications and design without notice

### Ordering Information



### Coil Variants and Operating Characteristics

CECC Code	Resistance Ohms $\pm 10\%$	Must operate Volts dc	Must release Volts dc	Maximum Volts dc	Nominal Volts dc
01	40	3.6	0.30	7.2	6
02	42	3.6	0.30	7.2	6
03	60	3.6	0.30	7.2	6
04	150	7.2	0.60	14.4	12
05	210	7.2	0.60	14.4	12
06	320	7.2	0.60	14.4	12
07	675	14.4	1.20	32.0	24-26.5
08	830	14.4	1.20	32.0	24-26.5
09	1250	14.4	1.20	32.0	24-26.5
10	2500	28.8	2.40	57.6	48
11	2800	28.8	2.40	57.6	48
12	3500	28.8	2.40	57.6	48
13	40	3.0	0.25	6.0	5
14	700	14.4	1.20	32.0	24-26.5
15	700	10.6	0.88	24.0	20
16	830	13.5	1.20	32.0	24-26.5

All value are measured at 25°C

Data Sheet No  
**DSD16101-038**  
**3922**  
 Sheet 4 of 4

**Design authority and manufacture by Barnbrook Systems Limited**

Barnbrook Systems reserves the right to alter specifications and design without notice