

Relays utilising the 'B' Type movement are manufactured with four contact arrangements: i.e. single pole 60 amp, single pole 35 amp bridging make-and-break, single pole 20 and 30 amp changeover and two-pole 10 amp changeover.

The movement is balanced and has a high contact pressure combined with a wiping action for self cleaning. The contacts are of silver cadmium oxide to give high resistance to welding on overload and high inrush current applications.

The relays are provided with various methods of enclosure: dust cover, sealed or plug-in form with a socket. For suppressed relays a polarising feature is incorporated.

Units with dc coils are designed for 28V and are suitable for operation over the range 16 to 29V. Units with ac coils are designed for 115V 400 Hz supplies and are proven against line transients of up to 1000V for 10 micro-seconds.

All the relays will function over a temperature range of -65 °C to +70 °C (-85 °F to +148 °F) and will meet the vibration requirements of BSG100 Grade 2 and the acceleration requirements of BSG100 Grade 1A.



Type B

## Specifications

### 60A 1-Bridge-Make

Part No	7CZ105834	507/1/00999
Coil Operating Voltage	28V dc	28V dc
Nominal Contact Voltage	28V dc	28V dc
Coil Resistance	165 ohms	165 ohms
Enclosure	Dust Cover	Enclosed
Termination	Screw	Screw
Weight	240g (8.5 oz)	200g (7 oz)

### 35A 1- Bridge-Make 1- Bridge-Break

Part No	7CZ105962/1	507/1/00036
Coil Operating Voltage	28V dc	115V 400Hz
Nominal Contact Voltage	28V dc or 200V 400 Hz	28V dc or 200V 400Hz
Coil Resistance	165 ohms	1975 ohms
Enclosure	Hermetically Sealed	Hermetically Sealed
Termination	Screw	Screw
Weight	260g (9.25 oz)	260g (9.25 oz)

### 30A 1- Changeover

Part No	7CZ106517	507/1/00035
Coil Operating Voltage	28V dc	115V 400Hz
Nominal Contact Voltage	28V dc or 200V 400 Hz	28V dc or 200V 400 Hz
Coil Resistance	165 ohms	1650 ohms
Enclosure	Dust Cover	Dust Cover
Termination	Screw	Screw
Weight	174g (6.2 oz)	174g (6.2 oz)

### 20A 1- Changeover

Part No	507/1/00735
Coil Operating Voltage	28V dc
Nominal Contact Voltage	28V dc or 200V 400 Hz
Coil Resistance	165 ohms
Enclosure	Dust Cover
Termination	Screw
Weight	174g (6.2 oz)

### 10A 2- Changeover

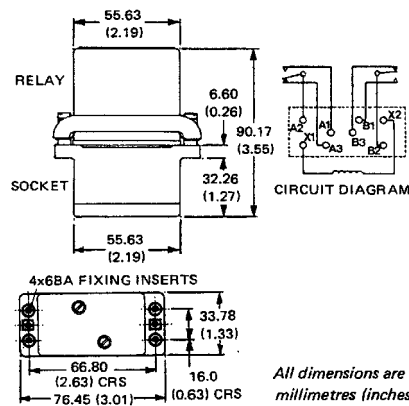
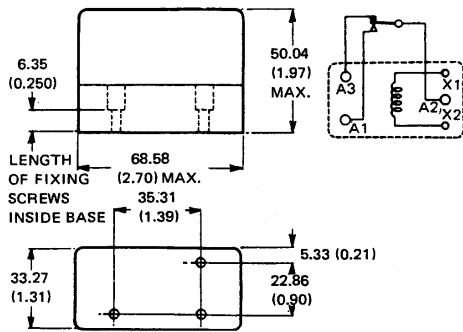
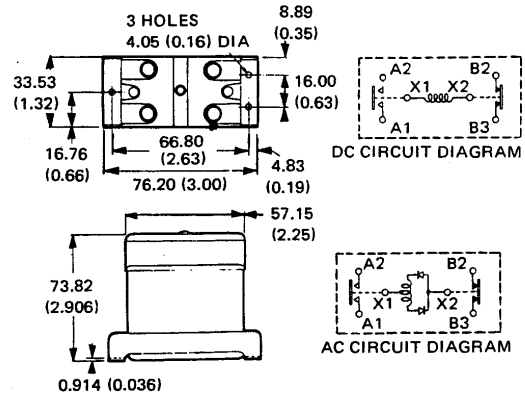
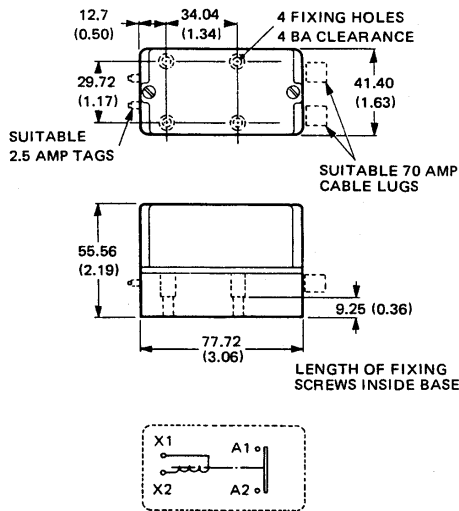
Part No	7CZ105273/3 (Relay)	7CZ105260 (Socket)
Coil Operating Voltage	28V dc	
Nominal Contact Voltage	28V dc	
Coil Resistance	230 ohms	
Enclosure	Hermetically Sealed	
Termination	Plug-in	
Weight	Relay & Socket 282g (10 oz)	

Data Sheet No  
**DSRELB-0805**

Sheet 1 of 2

**Design authority and manufacture by Barnbrook Systems Limited**

Barnbrook Systems reserves the right to alter specifications and design without notice



**Ordering Information** Quote Part Number from Specifications on Sheet 1.

Data Sheet No  
**DSRELB-0305**

Sheet 2 of 2

**Design authority and manufacture by Barnbrook Systems Limited**  
Barnbrook Systems reserves the right to alter specifications and design without notice