

The 'A' Type Relay uses an efficient magnetic circuit to give maximum contact pressures and contact clearance with minimum overall dimensions and weight. The Relay is manufactured principally as a single-make 30-amp Relay and also as 5- and 10-amp single-break and 5-amp 2-pole changeover relays.

The Relay movement is balanced to maintain performance throughout the vibration and acceleration range. The contacts are of silver cadmium oxide and have a self-wiping action.



Type A

Key Features

- Available in four forms:
 1. Open design, no cover, solder connections to coil for minimum space.
 2. With screw connections to coil and contacts and with dust cover, relay is suitable for general aircraft use.
 3. Hermetically sealed with screw terminals.
 4. Hermetically sealed with plug-in terminations to suit a moulded socket.

Specification

Electrical

Coil Voltage (AC)	115 Vac 115 Hz
Line transient resistance	Up to 1000 B.S.G. 100. Grade C. for 10 μ s
Coil Voltage (DC)	16 – 29 Vdc
Dielectric strength	All relays are tested at 1000 volts, between contacts and frame.

Contacts

Contacts for the basic Relay are rated at 30 amps for either 28V dc or 240V 50/ 60/ 400 Hz ac circuits

Environmental and Physical

Endurance	30 amp - 10,000 operations 20 amp – 100,000 operations
Temperature range	-65°C to +70 °C
Vibration	B.S.G. 100. Grade C.
Acceleration	B.S.G. 100. Grade 1A.

Dimensions

See sheets 2 & 3 for dimensional details

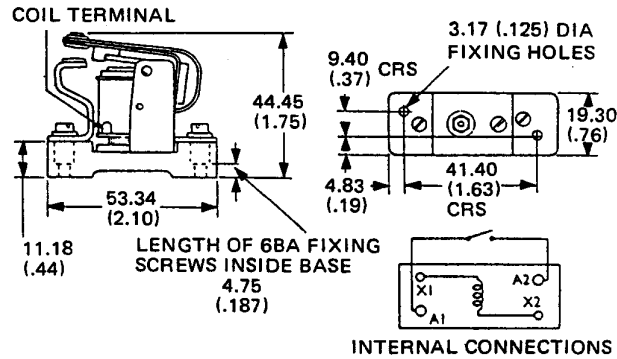
Ordering Information Quote Part number from table on page 4.

Data Sheet No
DSRELA-0112

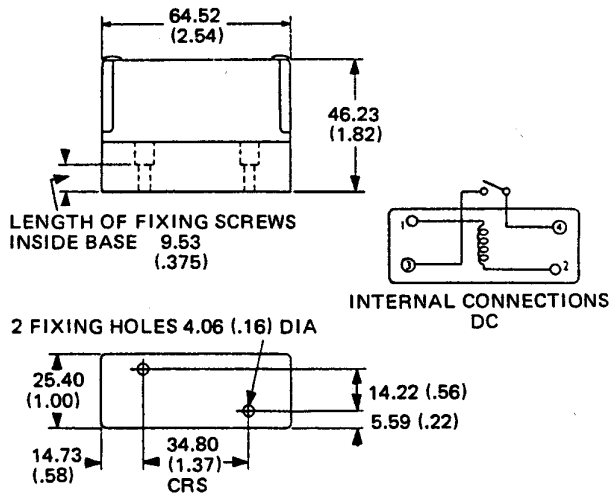
Sheet 1 of 4

Design authority and manufacture by Barnbrook Systems Limited
Barnbrook Systems reserves the right to alter specifications and design without notice

30 AMP Single-Make Uncased



5 & 10 AMP Single Break, 30 AMP Single-Make Dust Cover Enclosure Screw Terminals

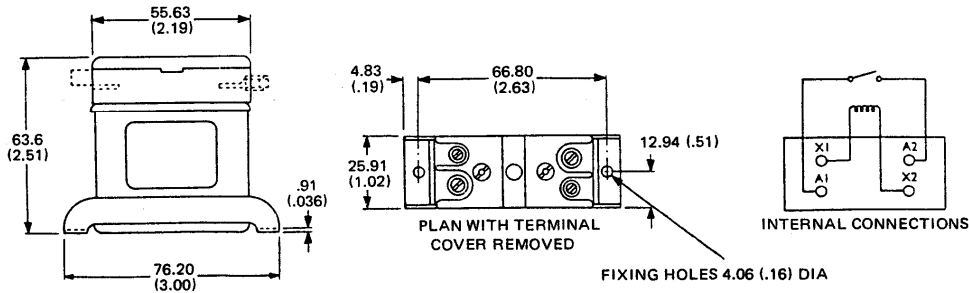


Data Sheet No
DSRELA-0112

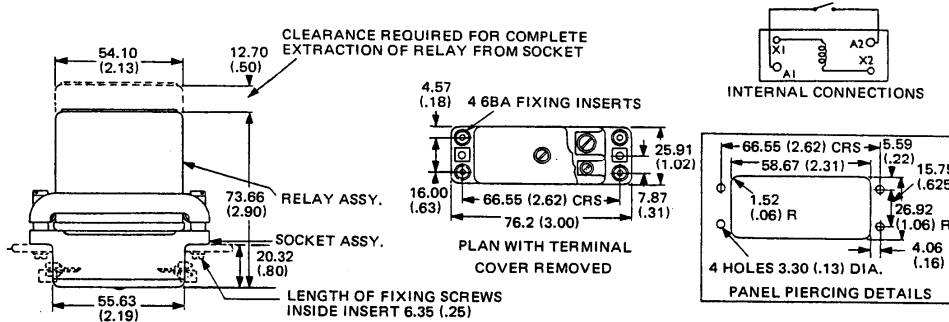
Sheet 2 of 4

Design authority and manufacture by Barnbrook Systems Limited
Barnbrook Systems reserves the right to alter specifications and design without notice

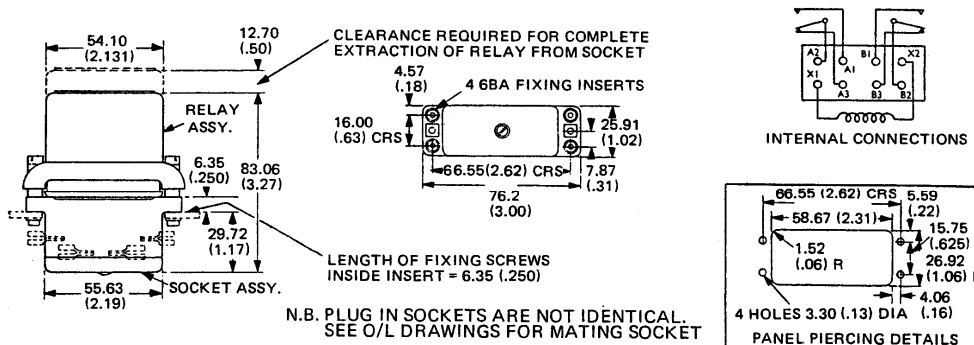
30 AMP Single-make Screw Terminals Hermetically Sealed



30 AMP Single-make Plug-in



5 AMP 2-Changeover Plug-in



All dimensions are in millimetres (inches)

Design authority and manufacture by Barnbrook Systems Limited
Barnbrook Systems reserves the right to alter specifications and design without notice

Data Sheet No
DSRELA-0112

Sheet 3 of 4

DATA SHEET

RELAY

Type A

Coil	Coil Resistance Ohms	Nominal Contact Voltage	Weight		Termination	Enclosure	Part Number		
			Ozs	grams					
30 AMP SINGLE-MAKE									
28 V dc	250	28 V dc	2.3/4	80	Coil Solder Tags	Uncased	7CZ102260/2		
			4.1/2	127	Contact Screws				
			5.3/4	165	Screw	7	200	Hermetically Sealed	7CZ97225/4
		4.1/2							
		115V 400Hz			-	28V dc or 200V 400Hz	4.1/4	120.5	Screw
			5.3/4	165			Hermetically Sealed	507/1/00034	
7.3 Amps	-		4.1/4	120.5			Dust Cover	7CZ143667	
10 AMP SINGLE-BREAK									
28V dc	250	28V dc	4	112	Screw	Dust Cover	7CZ106528/4		
6 Amps	-		4.1/4	120.5			7CZ106545		
5 AMP SINGLE-BREAK									
2.4 amps	-	28V dc	4.1/4	120.5	Screw	Dust Cover	7CZ143000		
5 AMP 2-CHANGEVER									
28V dc	250	28V dc	7	200	Plug-in	Hermetically Sealed	7CZ105503/3		

Models with screw terminals have 6BA screws with captive spring washers for the coil connections and 4BA screws and captive washers for the contact connections.

Data Sheet No
DSRELA-0112

Sheet 4 of 4

Design authority and manufacture by Barnbrook Systems Limited
 Barnbrook Systems reserves the right to alter specifications and design without notice