

# DATA SHEET

## AIRCRAFT CIRCUIT BREAKER

The 'Series 4310' circuit breaker is a miniature, single push-pull unit of single-pole, double break construction incorporating an overload sensing device in the form of an electromechanical thermal element which is heated by the passing of current. To prevent premature tripping at elevated ambient temperatures the unit is temperature compensated. The unit's robust construction meets the requirements of MIL-C-5809 and MS 3320 (ASG) military specification requirements for temperature, vibration, mechanical shock and acceleration. The unit is capable of providing protection for both a.c. and d.c. circuits and has an interruption capacity of 6000A at 30V D.C. A trip is indicated by a white band appearing at the base of the push-pull button.



Type 4310

### Key Features

- Temperature compensated.
- Lightweight.
- A.C. or D.C. operated.
- High break capacity.
- Durable.
- Extensive range.

### Specification

#### Performance

#### Electrical

Rating (Amps)	Part Number
1/2	516-1-80067-005
1	516-1-80067-010
2	516-1-80067-020
2.1/2	516-1-80067-025
3	516-1-80067-030
4	516-1-80067-040
5	516-1-80067-050
7.1/2	516-1-80067-075
10	516-1-80067-100
15	516-1-80067-150
20	516-1-80067-200
25	516-1-80067-250

The rating of individual circuit breakers is marked on the head of the push-pull button

#### Environmental and Physical

Operating temperature range      -55°C to +121°C  
Weight                                      24gm (0.85oz)

#### Dimensions

Length                                      43.5mm (1.71in)  
Width                                        15.0mm (0.60in)  
Height                                       19.8mm (0.78in)

#### Ordering Information

To Order please quote Part Number from Table above.

Data Sheet No  
**DSCB4310-0305**

Sheet 1 of 2

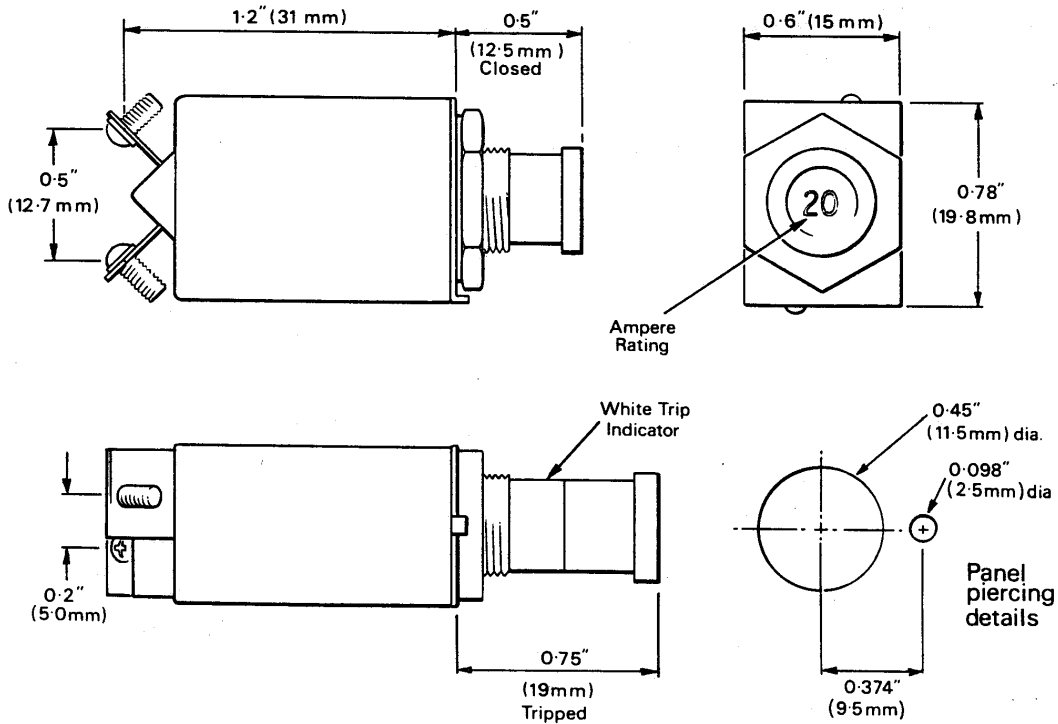
**Design authority and manufacture by Barnbrook Systems Limited**

Barnbrook Systems reserves the right to alter specifications and design without notice

# DATA SHEET

## AIRCRAFT CIRCUIT BREAKER

Type 4310



As a result continual efforts to improve design, components supplied may vary in detail from those described or illustrated in this publication.

Data Sheet No  
**DSCB4310-0305**

Sheet 2 of 2

**Design authority and manufacture by Barnbrook Systems Limited**  
Barnbrook Systems reserves the right to alter specifications and design without notice