

TECHNICAL SPECIFICATION

78607
2M 50 AMP CONTACTOR

CONTACTOR



50 AMPERE

Key Features

- Fully Sealed / Enclosed
- Excellent Performance under conditions of shock, acceleration and Vibration.
- Encapsulated Coil
- Heavy duty contacts

Specifications

General

Contact Arrangement	2 Pole Make (2 N/O), (2M)
Weight	400g (approx.)
Dimensions of case	76mm x 69mm x 52mm

Performance

Contact Rating	50A Resistive, 28V DC 6A Resistive, 250V DC
Life	50,000 Operations
Operate Time	30 ms max
Release Time	10 ms max.
Bounce Time	5 ms max.

All measurements at 25°C and nominal voltage

Environmental

Temperature Range	-45°C to +85°C
Shock	50G, 11ms
Vibration (Sinusoidal)	Frequency band: 5-33Hz, Amplitude ±0.125mm Constant Displacement in X, Y & Z axes
Vibration (Random)	Frequency band: 20-2000Hz, Power Density 0.02G ² /Hz
Corosion Proof	Suitable for Marine Environment

Coil Characteristics (VDC)

Nominal Operating Voltage	28 V DC
Maximum Operating Voltage	30 V DC
Maximum Pick up Voltage	18 V DC
Maximum drop-out Voltage	7 V DC
Coil Resistance	120 Ω ± 10%

Design authority and manufacture by Barnbrook Systems Limited

Barnbrook Systems reserves the right to alter specifications and design without notice

TECHNICAL
SPECIFICATION
15 05

SHEET 1 OF 3

TECHNICAL SPECIFICATION CONTACTOR 50 AMP

Electrical

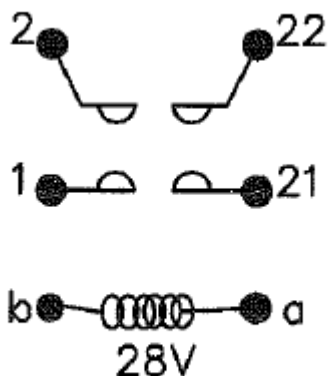
Insulation Resistance

1000 M Ω min at +25°C between any two isolated terminals and between terminals and case.

Dielectric Strength

2000 Vrms / 50 Hz

SCHEMATIC DIAGRAM



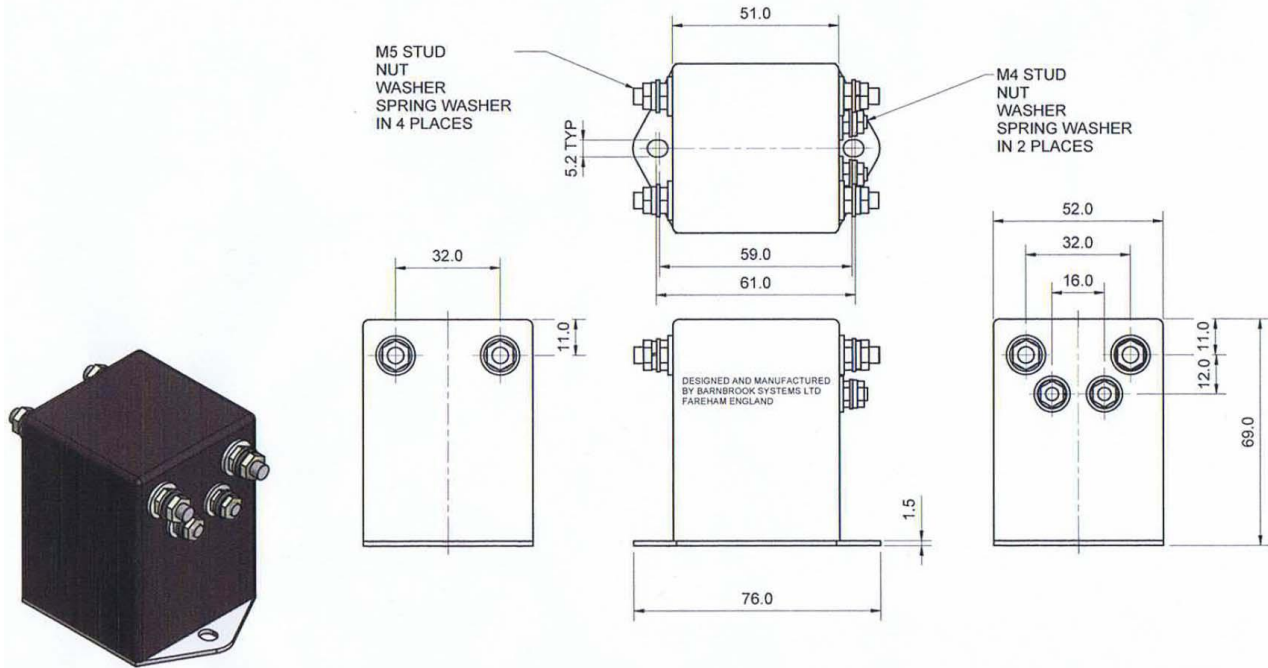
TECHNICAL
SPECIFICATION
15 05

SHEET 2 OF 3

Design authority and manufacture by Barnbrook Systems Limited
Barnbrook Systems reserves the right to alter specifications and design without notice

TECHNICAL SPECIFICATION

INSTALLATION DETAILS



All dimensions are millimetres
Tolerances ± 0.25 unless otherwise stated

Note:
During assembly, tightening torque after placing the lug in between 2 nuts should not exceed 1N-m

TECHNICAL
SPECIFICATION
15 05

SHEET 3 OF 3

Design authority and manufacture by Barnbrook Systems Limited
Barnbrook Systems reserves the right to alter specifications and design without notice